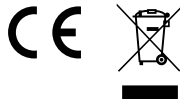
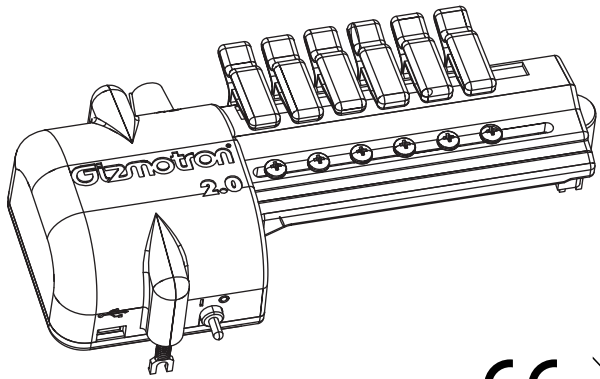


Gizmotron® 2.0

INSTALLATION GUIDE

US PATENT 9,997,144

Technical support, troubleshooting tips and a video installation guide can be found at <http://www.gizmotron.com>



Instrument Requirements

The Gizmotron 2.0 has a universal mounting system that was designed to fit most electric guitars and 4-5 string basses.

The most suitable guitars for a Gizmotron 2.0 are longer-scale guitars (25.5 in. [648 mm] aka "Fender® scale"). For the smoothest sound, the Gizmotron 2.0 should be mounted as close to the bridge as possible. Ideally, the guitar wheels should be located directly in front of the string saddles.

For bass guitars, the Gizmotron 2.0 can be located anywhere between the bridge and the pickup. Mounting the unit closer to the rear pickup or a few inches away from the bridge will produce a fatter tone.

SAVE ALL INSTRUCTIONS / CONSERVER CES INSTRUCTIONS.

Important Safety Instructions

When using electrical products, basic precautions should always be followed, including the following:

- Read and follow all instructions before using.
- There are no user-serviceable components within this device. Removal of the cover from this device may present a shock hazard, and void the warranty.
- DANGER – To reduce the risk of electrical shock: Always unplug this device from the electrical outlet before cleaning.
- WARNING – To reduce the risk of burns, fire, electric shock, or injury to persons:
 1. Unplug from outlet before putting on or taking off parts.
 2. Close supervision is necessary when this device is used by, or near children, invalids, or disabled persons.
 3. Use this device only for its intended use as described in these instructions. Do not use attachments not recommended by the manufacturer.
 4. Never operate the device if it has a damaged cord or plug, if it is not working properly, if it has been dropped or damaged, or dropped into water. Return the device to a service center for examination and repair.
 5. Protect the power cord from being walked on or pinched particularly at plugs, convenience receptacles, and the point where they exit from the apparatus.
 6. Keep the cord away from heated surfaces.
 7. Never drop or insert any object into any opening.
 8. Do not use outdoors.
 9. Do not operate where aerosol (spray) products are being used or where oxygen is being administered.
 10. To disconnect, turn all controls to the off position, then remove plug from outlet.
 11. WARNING: Risk of Electric Shock – Connect the device to a properly grounded outlet only. Do not defeat the safety purpose of the polarized or grounding-type plug. A polarized plug has two blades with one wider than the other. A grounding type plug has two blades and a third grounding prong. The wide blade or the third prong is provided for your safety. If the provided plug does not fit into your outlet, consult an electrician for replacement of the obsolete outlet.
 12. WARNING: The apparatus shall not be exposed to dripping or splashing and that no objects filled with liquids, such as vases, shall be placed on the apparatus.
 13. The mains plug is used as your disconnect device. This device shall remain readily operable.
 14. Unplug this apparatus during lightning storms or when unused for long periods of time.
 15. Only use attachments/accessories specified by the manufacturer.
 16. Do not overload the wall outlet where this device is being connected. Do not overload this device. Ensure the total load to this device does not exceed that which is listed in the specifications section of this manual.
 17. Ensure this device is connected to a properly grounded AC power source. Ensure the device is plugged into a source providing the required voltage.

Instructions Importaantes Sur La Sécurité

Lors de l'utilisation des produits électriques, des précautions de base doivent toujours être respectées, y compris les suivantes:

- Lire et suivre toutes les instructions avant l'utilisation du matériel.
- Il n'ya pas de composants réparables par l'utilisateur au sein de cet appareil. Retrait de la couverture de cet appareil peut présenter un danger d'électrocution et annuler la garantie.
- DANGER - Pour réduire le risque de choc électrique : Toujours débrancher le meuble de la prise électrique avant de le nettoyer.
- AVERTISSEMENT - Pour réduire les risques de brûlures, d'incendie, de choc électrique ou de blessures:
 1. Débrancher de la prise électrique avant d'installer ou de retirer des pièces.
 2. Surveiller étroitement ce meuble s'il est utilisé par ou à proximité d'un enfant, d'une personne invalide ou handicapée.
 3. N'utiliser ce meuble que pour l'usage auquel il est destiné, tel que décrit dans la présente fiche d'instructions. Ne pas utiliser d'accessoires non recommandés par le fabricant.
 4. Ne jamais utiliser ce meuble si le cordon ou la prise est endommagé, s'il ne fonctionne pas correctement, s'il est tombé ou est endommagé, ou s'il est tombé dans l'eau. Renvoyer le meuble à un centre de service après-vente pour qu'il soit examiné et réparé.
 5. Le cordon d'alimentation doit être placé de manière à éviter qu'il soit piétiné ou pincé, notamment au niveau des prises, des réceptacles et à la sortie de l'appareil.
 6. Garder le cordon d'alimentation loin des surfaces chauffées.
 7. Ne jamais faire tomber ou introduire un objet dans une ouverture.
 8. Ne pas utiliser en extérieur.
 9. Ne pas utiliser dans des lieux où des produits aérosols sont utilisés ou à proximité d'une source d'oxygène.
 10. Pour débrancher, placer tous les boutons en position off, puis retirer la fiche de la prise électrique.
 11. AVERTISSEMENT : Risque de choc électrique - Brancher le meuble uniquement à une prise correctement mise à la terre. Ne pas détériorer le dispositif de sécurité de la fiche polarisée ou de la fiche de terre. Une fiche polarisée possède deux broches, dont l'une plus large que l'autre. Une fiche de type terre possède deux broches et une troisième de mise à la terre. La broche large ou la troisième fiche sont fournies pour des raisons de sécurité. Si la fiche fournie n'entre pas dans votre prise de courant, veuillez faire appel à un électricien pour remplacer la prise obsolète.
 12. AVERTISSEMENT : L' appareil ne doit pas être exposé à des éclaboussures et aucun objet rempli de liquide, comme des vases , ne doit être placé sur l'appareil.
 13. La fiche secteur est utilisée comme sectionneur de courant. Ce dispositif doit rester en état de marche.
 14. Débrancher cet appareil pendant les orages ou s'il n'est pas utilisé pendant de longues périodes.
 15. Utiliser uniquement les pièces/accessoires indiqués par le fabricant.
 16. Ne surchargez pas le réceptacle de mur ou le circuit qui fournit l'énergie à ce appareil. Ne pas surcharger cette appareil.S'assurer que la charge totale à cet appareil ne dépasse pas celle qui est répertoriée dans la section des spécifications de ce manuel.
 17. Assurez-vous cet appareil est connecté à une source d'alimentation C/A avec mise à la terre. Assurez-vous cet appareil est branché sur une source d'alimentation fournissant les nécessaires tension.

Specifications

SPECIFICATION	DETAIL
Power Requirements	5V DC, 500ma via USB
Enclosure	ABS
Dimensions	
Length	6.40 in (163 mm)
Height	1.70 in (43 mm)
Width	3.0 in (75 mm)
Weight	9.0 oz (0.25 kg)

NOTE: THERE IS NO INTERNAL BATTERY INSIDE THE GIZMOTRON 2.0

Items Supplied

(1) AC Adapter For USB Power Supply

(1) USB Cable (USB A Male to Mini 5 Pin B Male) 2.8 ft (3m)

(3) Mounting Pads (Pre-Installed)

(12) Adhesive Tape Strips

(3) Spring Arms (Spares)

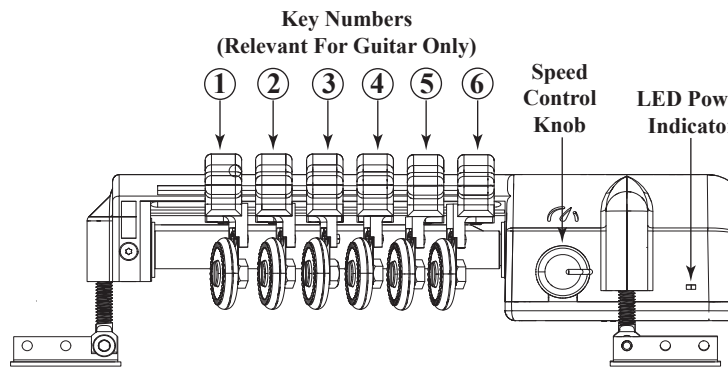
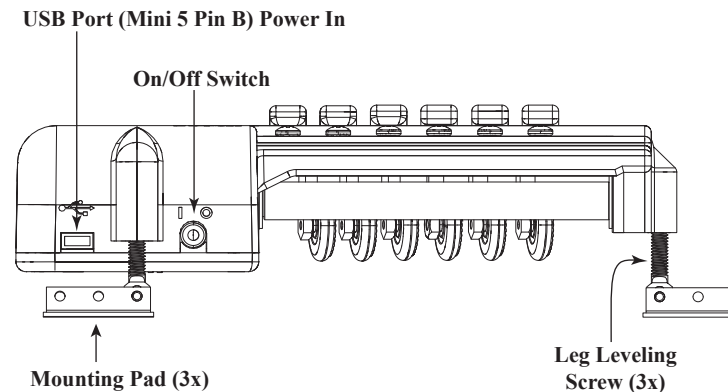
(1) T6 Screwdriver

(1) T10 Screwdriver

(1) Phillips #1 Screwdriver

(1) 2.5mm Hex Screwdriver

Overview / Diagram



NOTE: You may remove or add keys as necessary. The bottom of each key is numbered. For Guitar Gizmotron, the keys should be placed according to the diagram above for optimal key spacing. For Bass Gizmotron, this is not necessary, as all keys are the same (#3).

Installation

IMPORTANT

The Gizmotron® 2.0 attaches to your instrument using damage-free removable adhesive tape strips. Our tape is compatible and safe to use with the vast majority of guitar finishes. However, some vintage or exotic guitar finishes (such as certain formulations of Nitrocellulose Lacquer, Shellac, etc..) may be unstable and negatively react with certain materials. Therefore, it is recommended that before installing the Gizmotron 2.0, that you first apply a spare strip of adhesive tape to an inconspicuous area of your instrument to verify the compatibility of its finish with our adhesive tape strips.

1. Loosen all key screws using the included Phillips head screwdriver. **(FIGURE A)**

NOTE: Do not remove the screws.

2. Remove the (3) mounting pads from the Gizmotron with the included 2.5mm hex screwdriver. **(FIGURE B)**

3. Attach each mounting pad to an adhesive mounting strip (Remove strip from sheet to expose lower adhesive surface, leave paper backing on other side of strip). Do not attach area marked "TAB" to underside of mounting pad. The "TAB" area contains no adhesive. **(FIGURE B)**

NOTE: Leave tape margin around edges of the pad to protect the guitar finish.

4. Re-attach the mounting pads to the Gizmotron and loosely position the unit near the bridge of the instrument. For the guitar version, keep the wheels as close to the string saddles as possible. For the bass version, the Gizmotron sounds best when mounted a couple of inches away from the bridge; mount according to your personal preference. **(FIGURE C)**

NOTE: Be careful not to bend or twist the spring arms, if they become creased, they must be replaced.

5. Adjust the height of the Gizmotron by turning the leg leveler screws in or out. **(FIGURE D)** Keep the strings below the mid-point of the wheels for best performance. **(FIGURE H)**

NOTE: The leg levelers have the ability to tilt on the hex screws to accommodate various body contours.

6. Place the Gizmotron on the instrument and slide the keys so the wheels sit beside each string. **(FIGURE E)**

7. Make sure the Gizmotron is straight and perpendicular to the strings. **(FIGURE C)**

8. Position and rotate the mounting pads so that they sit as flat as possible on the instrument. The hex screws may be placed in any of the three mounting holes on the mounting pads. **(FIGURE B)**

NOTE: Make sure the hex screws are facing in a direction that is accessible for the hex driver.

8. Once a suitable position for the Gizmotron has been determined, note the location of the single mounting pad on the far end of the Gizmotron. Remove this mounting pad with the included hex driver. **(FIGURE B)**

9. Remove the remaining paper backing from the adhesive mounting strip and attach the mounting pad to the instrument in the desired location. **(FIGURE F)**

10. Attach the Gizmotron to the mounting pad and tighten the hex screw with the included hex driver.

NOTE: Make sure the forks on the leg leveling screws are facing outward. **(FIGURE G)**

11. With the two remaining mounting pads attached to the Gizmotron, pivot the unit on the first mounting pad and position the Gizmotron so that it is straight and perpendicular to the strings.

NOTE: Position the mounting pads on the OUTSIDE of the unit (not underneath) if you wish to mount the Gizmotron as low as possible.

12. Remove the paper backing from the adhesive mounting strip on the next mounting pad and attach to the instrument. Verify the Gizmotron is straight and perpendicular to the strings. If not, remove the mounting pad and try again.

13. Attach the last mounting pad.

Installation (Continued)

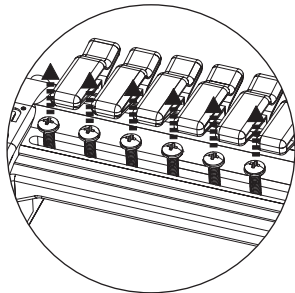


FIGURE A

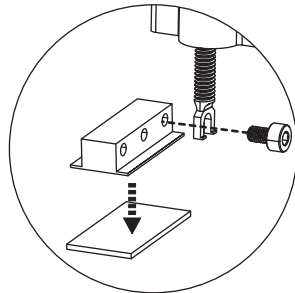


FIGURE B

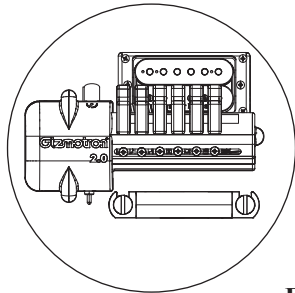


FIGURE C

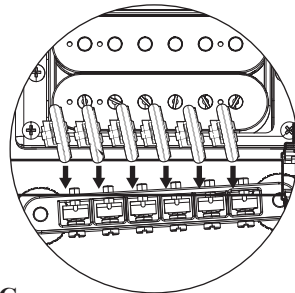


FIGURE E

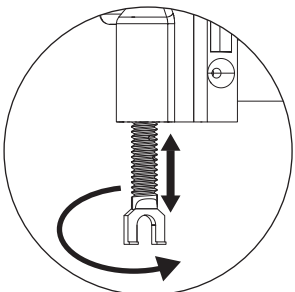


FIGURE D

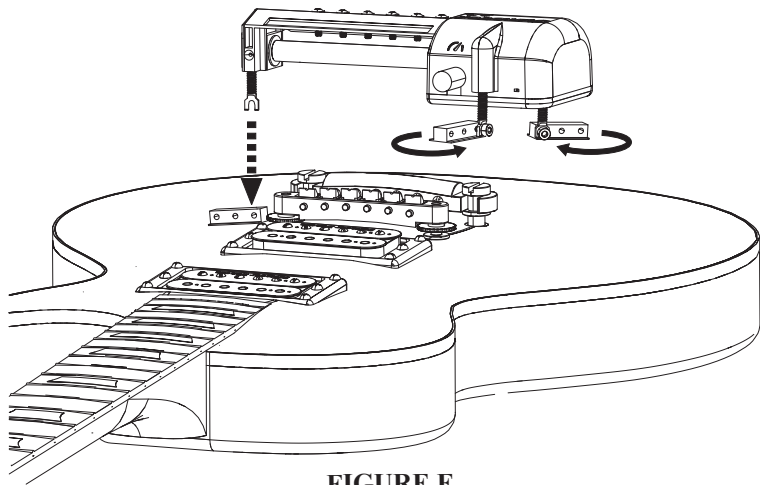
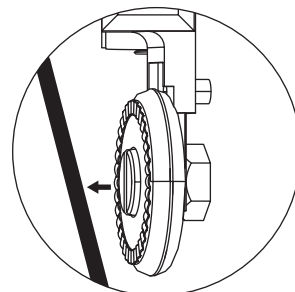


FIGURE F

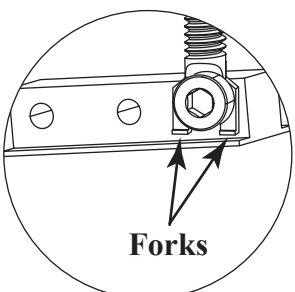


FIGURE G

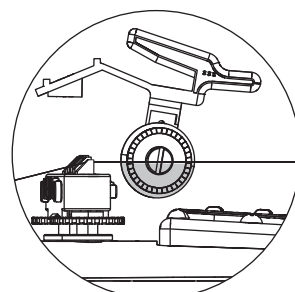


FIGURE H

Installation (Continued)

14. Select appropriate AC plug for your country (if supplied) and plug AC adapter into wall outlet.

15. Connect USB cable to AC adapter and unit.

16. Toggle On/Off switch to the On position. The Power LED will illuminate when unit is powered on.

NOTE: All wheels need about 15 minutes to properly "break in". They may sound a little strange at first, but this is normal.

17. Check the height of the wheels while pressing the keys against the rotating shaft.

NOTE: For guitar, keep the strings at or below the mid-point of the wheels for best performance. For bass, the strings can be at or slightly above the mid-point of the wheels. The mid-point of the wheels is where the attack is the loudest. (FIGURE H)

18. To adjust the keys accurately, hold the instrument in the playing position, as gravity will cause the wheels to sag closer to the strings.

19. Using the included Phillips screwdriver, adjust each key so that the notes ring out after releasing the key. Start with the wheel far away from the string, and gradually move the wheel closer. If the notes are muted when you release the key, the wheel is too close to the string.

Attachment and Removal

- To remove the Gizmotron from the instrument, loosen the hex screws from all of the mounting pads and pull the unit off the instrument.

- To remove the mounting pads from the instrument, pull the adhesive tape strips by their pull tabs horizontally along the face of the instrument.

NOTE: Use caution when pulling the mounting pads off the instrument. Hold the mounting pads in one hand while pulling the tape to keep them from springing off the instrument.

Speed Control Knob

The speed control knob changes the volume and timbre, as well as the attack. Rotate speed control knob clockwise to increase speed, or counter-clockwise to decrease speed.

- High speed - Sharp tone, fast attack.
- Slow speed - Mellow tone, slower attack.

Key Action Adjustment

1. Position and tighten wheel nut as shown (FIGURE I). It is best to do this with the target key attached to the unit. Remove adjacent keys for wheel screw access.

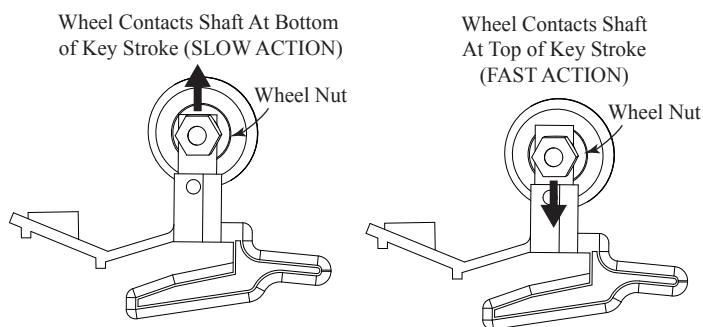


FIGURE I

Spring Arm and Wheel Replacement

1. Remove key from unit with supplied Phillips head screwdriver. Set key screw and felt washer aside.
 2. Grasp wheel nut with pliers and remove wheel from shoulder screw using T10 driver.
 3. Remove spring screw and spring arm from key using T6 driver.
 4. Install new spring arm into slot until completely inserted into key. (FIGURE J)
- NOTE:** Ensure spring arm remains flat, straight and fully inserted into key. Do not bend, curl or twist the spring in any way.
5. Carefully snug spring screw and spring arm to key using T6 driver. Do not overtighten this screw or you will strip the plastic threads in the key.
- NOTE:** Make sure the spring does not tilt after it is tightened.
6. Place wheel on shoulder screw and insert shoulder screw threads into wheel nut.
 7. Insert T6 driver into shoulder screw head and thread wheel nut onto screw.
 8. Grasp wheel nut with pliers and gently snug the wheel nut using the T10 driver, making sure not to twist the spring arm in any way. Do not overtighten the wheel to the point that the spring arm curls; the spring must remain as flat as possible.
 9. Re-install key with key screw and felt washer.

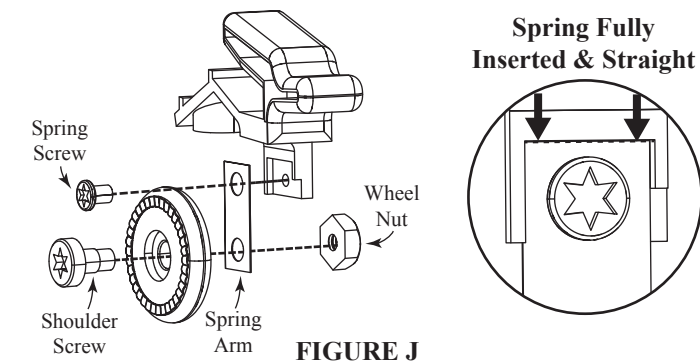


FIGURE J

Maintenance

- The body and keys of the Gizmotron 2.0 may be cleaned with mild soap and water.
- The shaft may be cleaned with isopropyl rubbing alcohol.
- Do not add any lubrication or grease to the wheels.
- If flakes develop on white wheels, remove wheel and scrape off flakes using a razor or box cutter blade (FIGURE K).

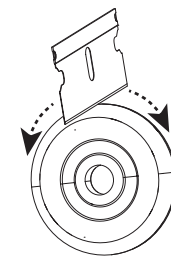


FIGURE K

Troubleshooting

TROUBLE	PROBABLE CAUSE(S)	CORRECTIVE ACTION
Wheel does not make contact with string.	Key is too far away from string. Spring is loose or has tilted in the key. Spring is creased or bent.	Reposition key closer to string as per FIGURE E. Straighten spring and re-tighten as per FIGURE J. Replace spring as per FIGURE J.
Sound is choppy on Guitar Gizmotron.	Gizmotron mounted too far away from saddles.	Re-mount Gizmotron closer to saddles as per FIGURE C.

Supplier's Declaration of Conformity 47 CFR § 2.1077 Compliance Information

Unique Identifier: Gizmotron 2.0

Responsible Party – U.S. Contact Information:

Gizmotron LLC
122 Holly Lane
Boonton NJ 07005
Email: support@gizmotron.com

NOTE: This equipment has been tested and found to comply with the limits for a Class B digital device, pursuant to part 15 of the FCC Rules. These limits are designed to provide reasonable protection against harmful interference in a residential installation. This equipment generates, uses and can radiate radio frequency energy and, if not installed and used in accordance with the instructions, may cause harmful interference to radio communications. However, there is no guarantee that interference will not occur in a particular installation. If this equipment does cause harmful interference to radio or television reception, which can be determined by turning the equipment off and on, the user is encouraged to try to correct the interference by one or more of the following measures:

- Reorient or relocate the receiving antenna.
- Increase the separation between the equipment and receiver.
- Connect the equipment into an outlet on a circuit different from that to which the receiver is connected.
- Consult the dealer or an experienced radio/TV technician for help.

NOTE: This unit was tested with shielded cables on the peripheral devices. Shielded cables must be used with the unit to ensure compliance.

Changes or modifications not expressly approved by Gizmotron LLC could void the user's authority to operate the equipment.

Warranty

Gizmotron LLC will repair or replace (at its option) any defective component(s) of this product (excluding finish and wear and tear on components under normal use, such as adhesive tape, spring arms, wheels and keys) for a period of one (1) year from the original date of purchase. This warranty shall not apply if the product has been damaged due to abuse, misuse, misapplication, accident or as a result of modification.

There are no expressed warranties other than those on the face hereof and described above. No warranties whether expressed or implied, including but not limited to, any implied warranties of merchantability or fitness for a particular purpose shall extend beyond the respective warranty period described above of one (1) year.

GIZMOTRON LLC SHALL NOT BE RESPONSIBLE OR LIABLE FOR ANY SPECIAL, INCIDENTAL OR CONSEQUENTIAL DAMAGES OR LOSS ARISING FROM THE USE OF THIS PRODUCT.

GIZMOTRON LLC • 122 HOLLY LANE • BOONTON, N.J. 07005 • USA
E-mail: support@gizmotron.com
Web: http://www.gizmotron.com
Specifications and appearance subject to change without notice.